

TROLL NURSERY



**IMPORTANT
RETAIN FOR FUTURE REFERENCE
READ CAREFULLY**

The illustrations in these instructions are to be used as a guide only
Made in Latvia
AS/NZS 2172:2013 & TPA 1974 - consumer protection notice No. 6 of 2005

TROLL NURSERY

Your child's safety is your responsibility.

Remove all parts from packaging and check against the parts list.

Do not discard any packaging until you are sure you have all parts and the pack of fittings.

You will find it easier to assemble the cot if a second adult is available to help you.

Follow assembly instructions in detail to ensure the safety features of the cot are not compromised.

WARNING :Be aware of the risk of open fires and other sources of strongheat, such as electric bar fires, gas fires etc in the near vicinity ofthe cot .

WARNING :Do not use if any part of the cot is broken, torn or missing and use onlyspare parts approved by the manufacturer.

WARNING :Do not leave anything in the cot or place close to another product which could provide a foothold or present a danger ofsuffocation or strangulation e.g. strings, blind/curtain cords etc.

WARNING :Do not use more than one mattress in the cot.

One end of the cot has a mark indicating the maximum height of the mattress.

RECOMMENDED MATTRESS SIZE:This cot has been manufactured for use with a mattress which measures 700 mm wide by 1400 mm long and 100 mm in thickness. The width and length are specified because it is important that the gaps between the mattress and the sides and ends of the cot will not exceed 40 mm. This is to minimize the risk of a child's limb becoming caught in the gap. The thickness of the mattress has been specified to ensure that the depth of the cot is greater than 500 mm with the mattress base in the lower position to minimize the risk of a child climbing or falling out of the cot and minimum distance of 300 mm is maintained between the top surface of the mattress and the top of the lowest side or end with the access closed and the base in its upper position.

WARNING: TO PREVENT FALLS, THE MAXIMUM MATTRESS THICKNESS SHOULD NOT EXCEED 100 mm.

WARNING: TO PREVENT FALLS, THE MATTRESS BASE OF THIS COT SHOULD BE ADJUSTED TO THE LOWEST POSITION BEFORE THE CHILD CAN SIT UP.

Ensure the cot is placed at a reasonable distance from curtains, blinds, heaters and power points.

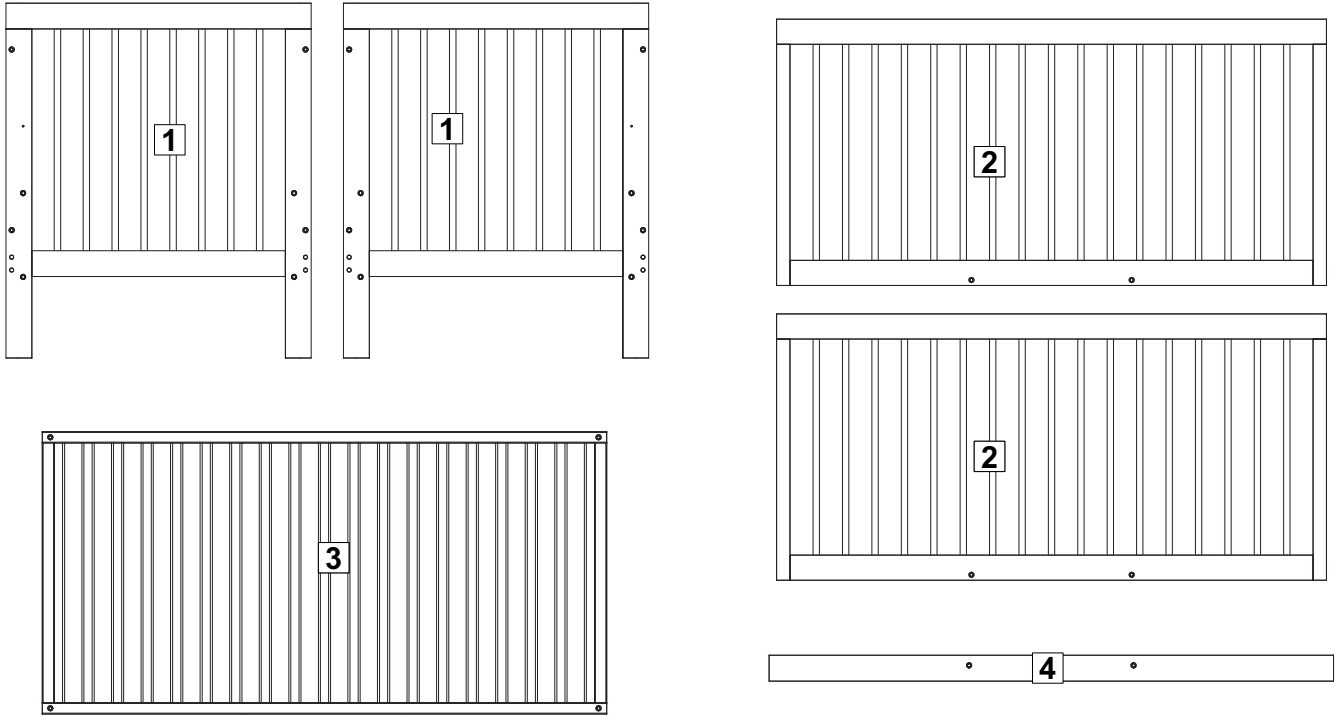
Keep medication, string, elastic, small toys or small items, such as money, out of reach from any position in the cot.

Check regularly to ensure that all the components are secure and retighten as necessary.

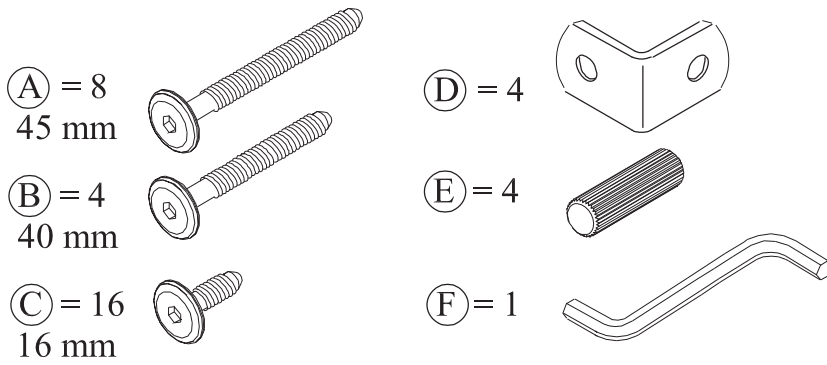
To prevent injury from falls, when the child is able to climb out of the cot, the cot shall no longer be used for that child.

To clean use a damp cloth, avoiding the use of strong detergents or abrasives.

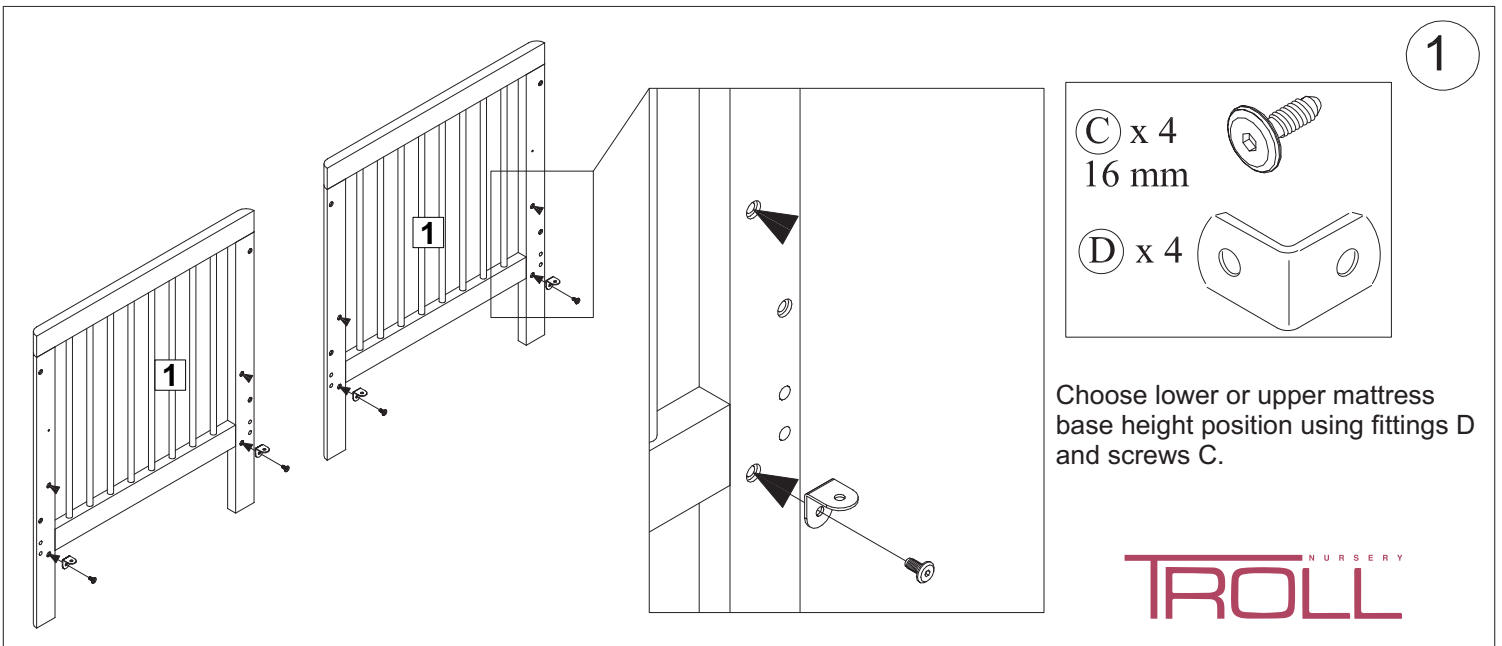
PARTS LIST



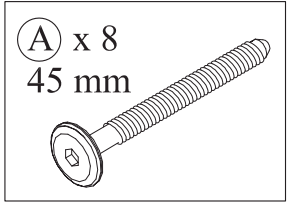
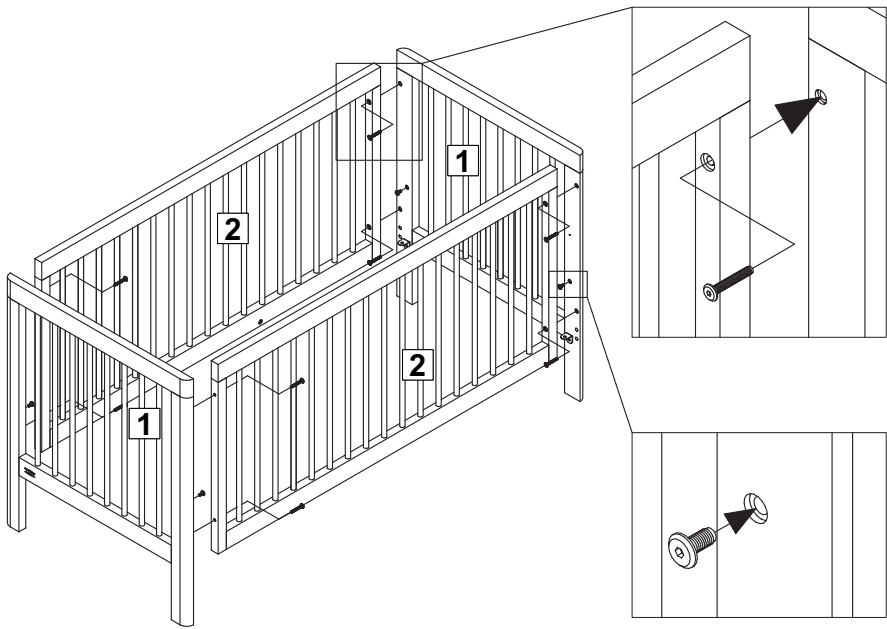
FITTINGS LIST



ASSEMBLING - COT



2



A x 8
45 mm

Attach sides to ends using screws Ax8.

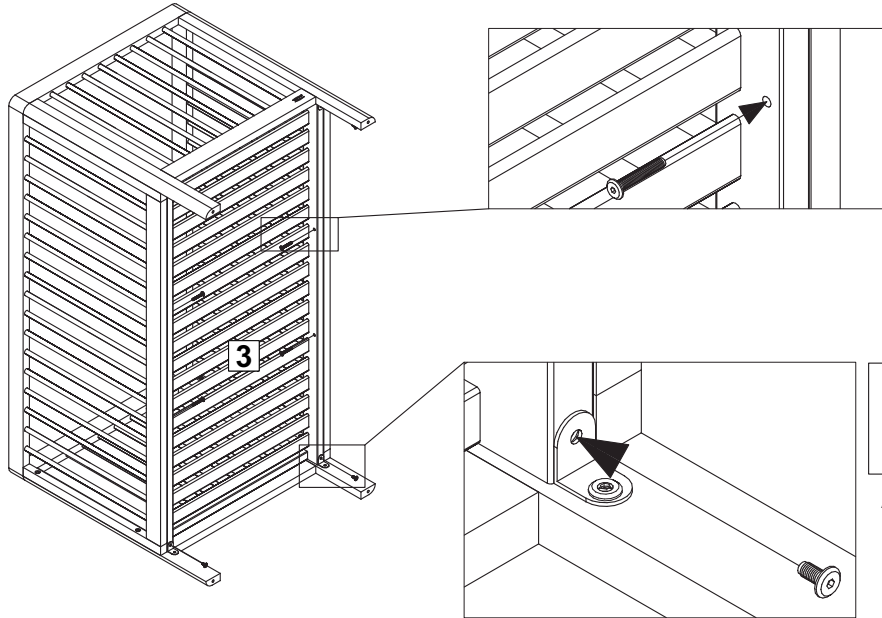
Do not tighten screws.



C x 4
16 mm

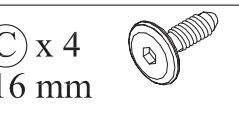
Insert screws C into free holes.

3



B x 4
40 mm

Attach mattress base to sides using screws B. (only if mattress base is in lower position)



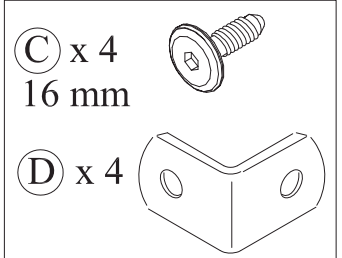
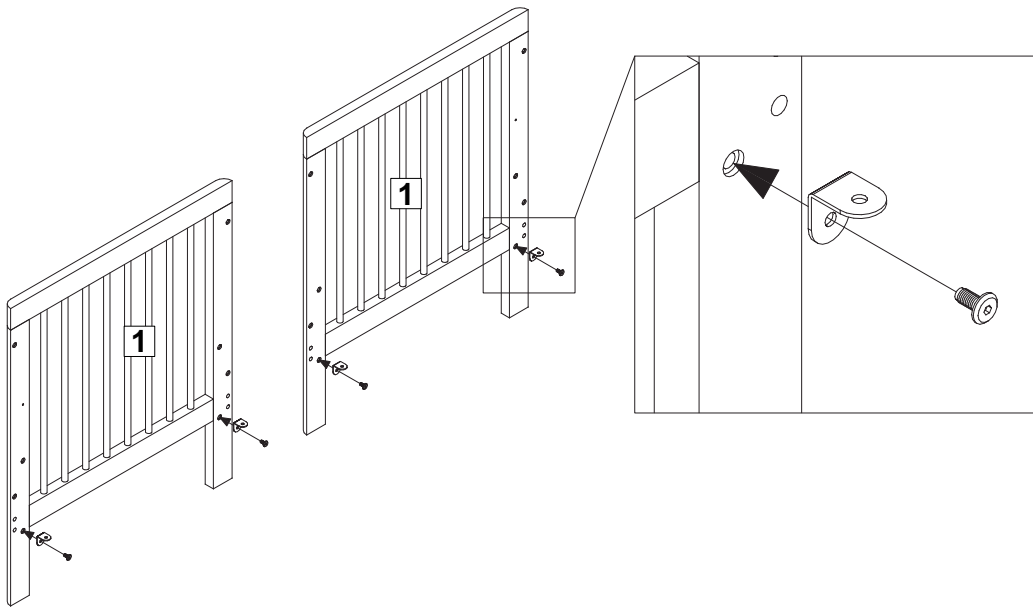
C x 4
16 mm

Attach mattress base to ends using screws C.

Securely tighten all screws.

ASSEMBLING - BED

1

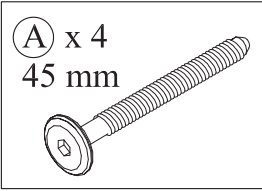
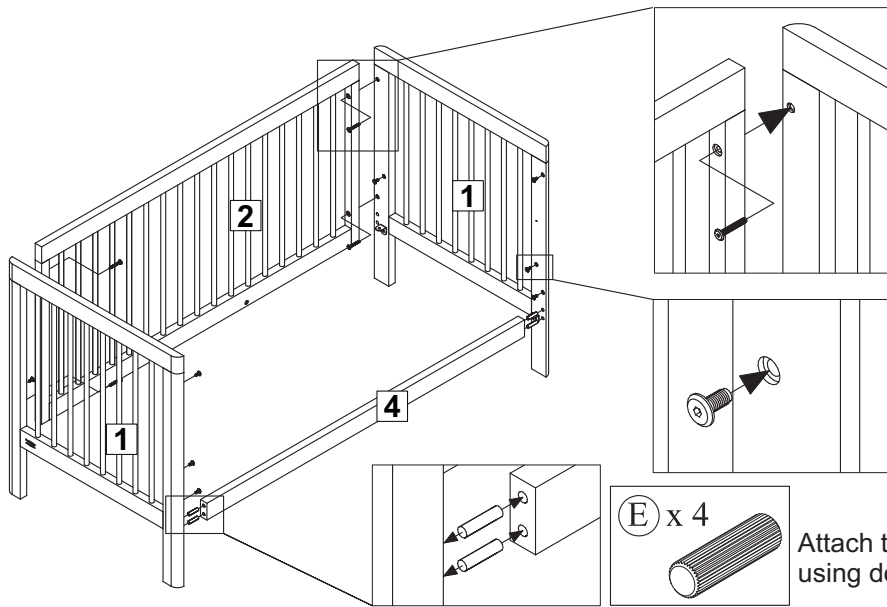


C x 4
16 mm

D x 4

Choose lower mattress base height position using fittings D and screws C.

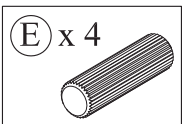
2



Attach side to ends using screws Ax4.
Do not tighten screws.

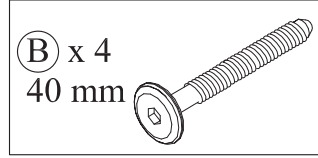
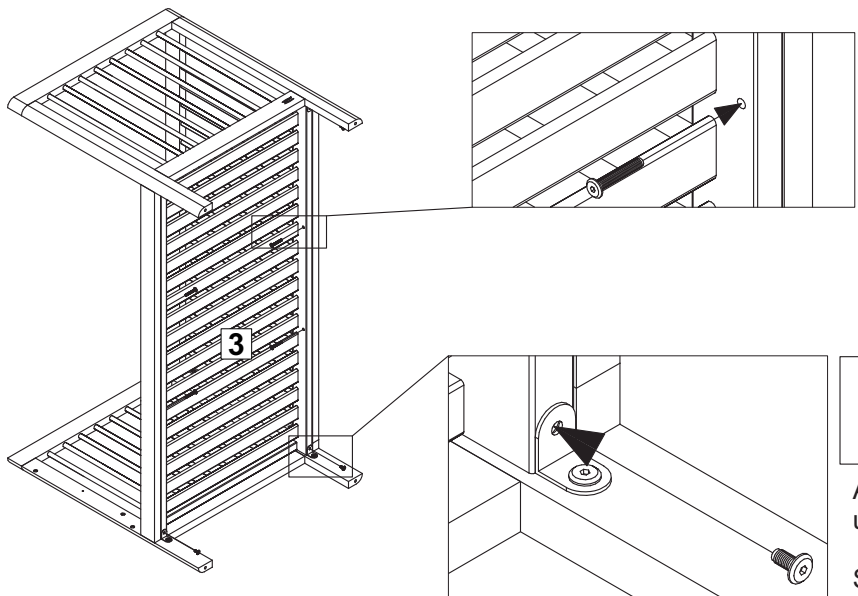


Insert screws C
into free holes.



Attach toddler rail to ends
using dowels E.

3



Attach mattress base to
side and rail using screws B.



Attach mattress base to ends
using screws C.

Securely tighten all screws.

CUSTOMER ENQUIRIES

Manufacturer:
SIA Troll Smiltene,
Rigas street 18, Smiltene,
LV-4729, Latvia
www.troll.lv

Australian distributor:
Danish by Design,
PO Box 1543 Black Rock VIC 3193.
www.danishbydesign.com.au

